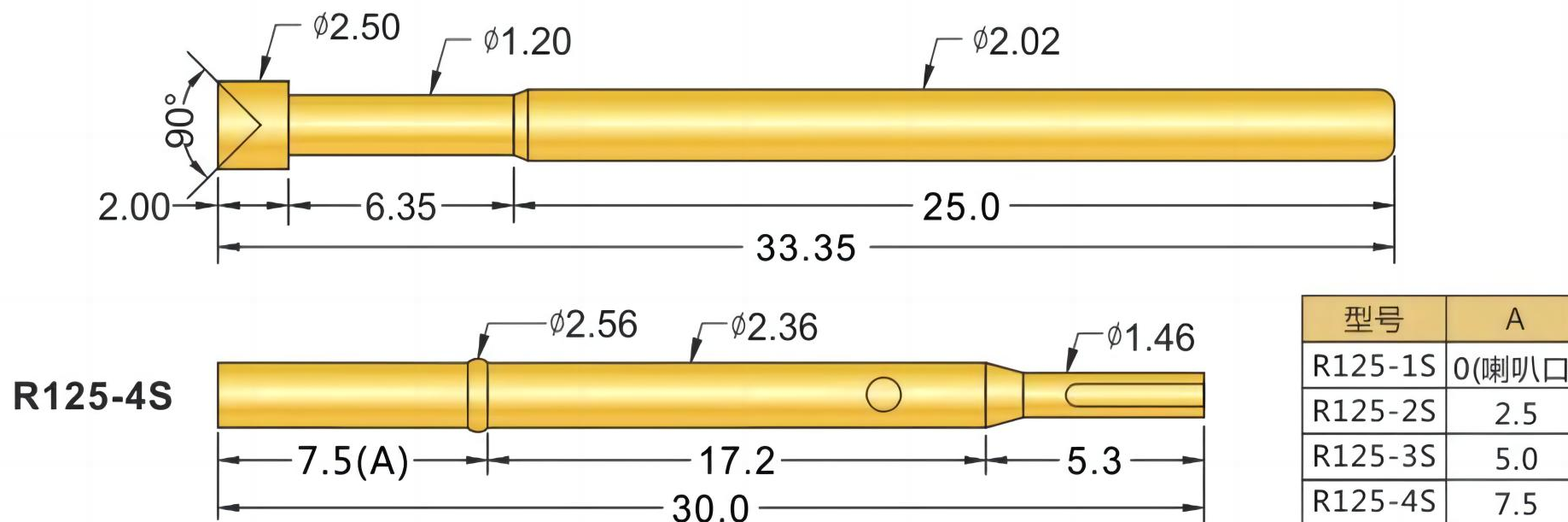


PROBE



技术要求 (Technical Specifications) :	
钻孔尺寸 (Hole Size)	2.4mm
额定电流 (Current Rating)	5A
接触电阻 (Contact Resistance)	50 milliohm
行程弹力 (Spring Force at Stroke)	1.8N(180gf),3.5N(350gf) <small>(括号内为定制品)</small>

材质 (Materials) :		
针管 (Barrel)	Brass,gold-plated	
弹簧 (Spring)	Stainless Steel Wire	
针套 (Receptacle)	Brass,gold-plated	
针杆 (Plunger)	国产料 (Domestic Materials)	Ph,Nickel-plated
	进口料 (Imported materials)	BeCu or SK4,Rh or gold-plated

SP125-B	SP125-D
SP125-H	SP125-Q
SP125-1Q	SP125-T

成品型号 (Product Type) :	
<p>SP125-A-1.8N</p> <p>系列 规格 头型 弹力</p>	订购举例:SP125-A-1.8N