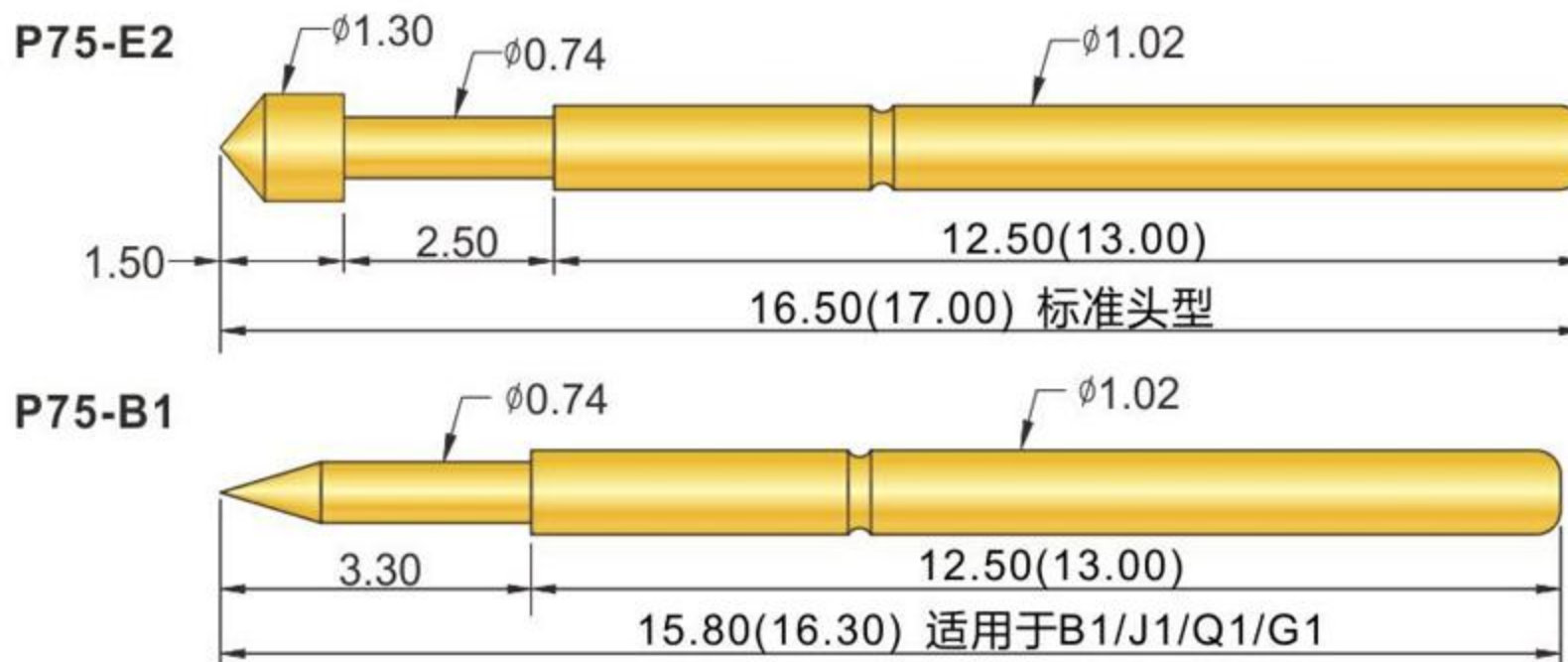


PROBE

P75



技术要求 (Technical Specifications) :

额定电流 (Current Rating)	3A
接触电阻 (Contact Resistance)	50 milliohm
行程弹力 (Spring Force at Stroke)	(60g)100g(180g)(220g) <small>(括号内为定制品)</small>

材质 (Materials) :

针管 (Barrel)	Ph,gold-plated	
弹簧 (Spring)	Stainless Steel Wire	
针杆 (Plunger)	国产料 (Domestic Materials)	Ph,Nickel-plated
	进口料 (Imported materials)	BeCu or SK4,Rh or gold-plated

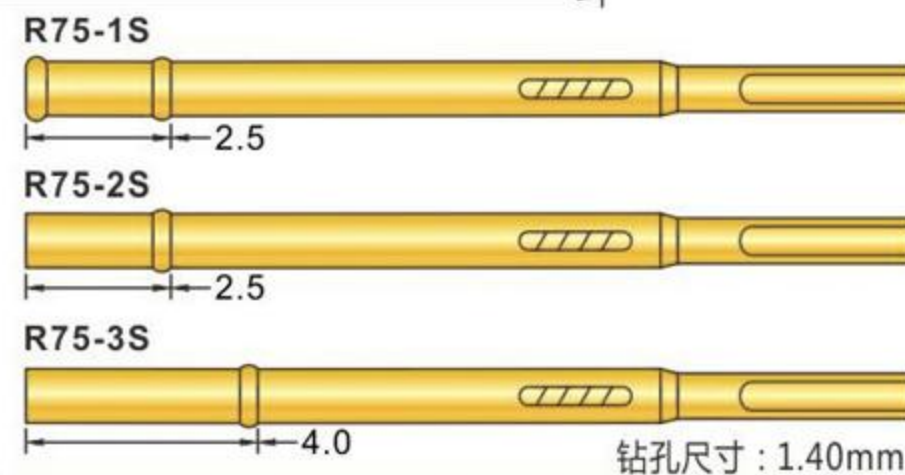
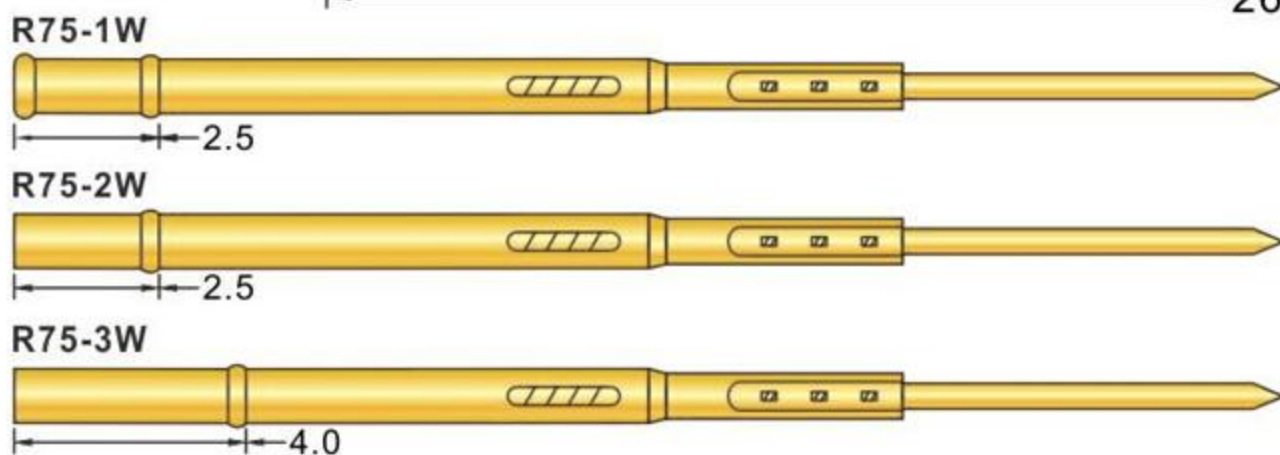
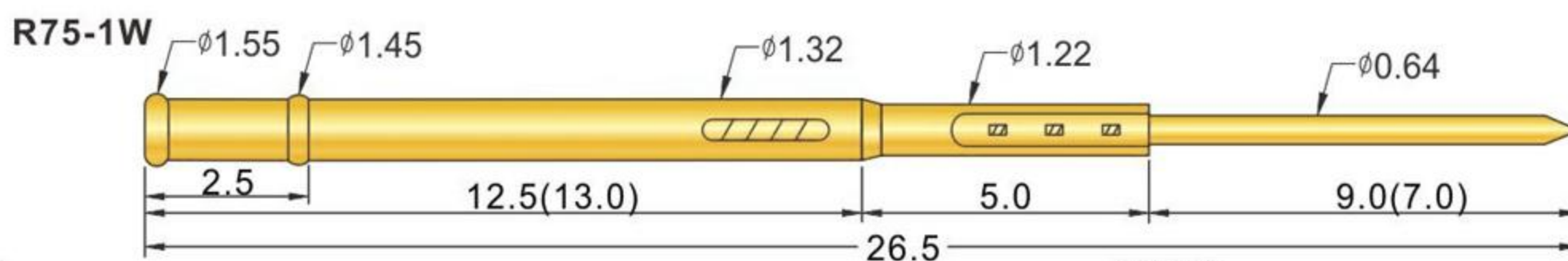
成品型号 (Product Type) :



*1*表示针杆直上头型直径为0.74mm
 *2*表示标准头型直径为1.30mm
 *3*表示外径为1.50mm
 订购举例:P75-E2-100g

P75-A2	P75-B1	P75-1D
P75-D2	P75-D3	P75-E2
P75-E3	P75-F1	P75-G2
P75-H2	P75-H3	P75-J1
P75-LM2	P75-LM3	P75-Q1
P75-Q2	P75-T2	P75-T3

R75



材质 (Materials) :

针套(Receptacle)	Brass,gold-plated
----------------	-------------------

成品型号 (Product Type) :



订购举例:R75-1W